



2009-2010

www.elementbike.com

ELEMENT BIKE - INTRODUCTIONS

Element Bike is a production of Element Bike Technic Co.
Our headquarters are in Taichung City, Taiwan.

MISSION

Each and every Element Technic product is made with one thing in mind: **Rider Satisfaction**

Element Technic is about:

- Specializing in **premier frame design**
- Developing our products by **riding** and listening to those who ride
- Creating products that are **enjoyable** to ride
- Offering the **best quality** of fit and finish at the best value



CONTENTS

INTRODUCTIONS	01
ELEMENT WEBSITE	02
ELEMENTECH™	
Frames	02-04
Frame Geometries	12-13

BIKES & FRAMES

FULLYS	
Triton-100 (XC)	05
Isotope 5.3 (AM)	06
HARDTAILS	
Nitron-Q (XC Ultra)	07
Electro-X (XC Premium)	08
Electro-P (XC)	09-10
Xenon-E hard-tail	11

COMPONENTS AND ACCESSORIES

Headsets	14-15
Stems	16, 20
Handlebars	17-18, 20
Seatposts	19
Heavy Duty Freeride Parts	20
Hubsets	21-22
Wheelsets	23
Forks	24-25
Bottle Cages	26
Grip	27
Chainstay Protectors / Bags	28
Pumps	29
Spare Parts	30



The Element Bike website reflects our character: **Straightforward**.
No flashy distractions. **Visit often**:

www.elementbike.com

It is a great source of information for all things Element Bike, including:

- News
- Product information
- ElemenTech technical details
- Downloads
- Reviews
- Your Photos
- Where To Buy

ELEMENTECH™ - ELEMENT EXCLUSIVE TECHNOLOGY

Element Technology - is more simply: **ElementTech™**.
When you see ElementTech™ - it means Technology exclusive to Element bikes.

ELEMENTECH™ - for Hardtail Frames

Element hard tails have some special features

VIBE V.D.T. - Vertical Damping Technology

VIBE Vertical Damping Technology is a common theme on **Element** hard tails. It indicates the passive rear suspension (vertical flex) designed into the rear stays of the frame.

- Vertically Compliant for Comfort
- Laterally Rigid for Efficiency and Tracking.

MAXIMUM VIBE for Carbon

- Radical horizontal cross-sections which **flex vertically like a ski**
- **Size-specific fiber lay-ups**...smaller sizes have greater flex for lighter riders

LOW VIBE for Alloy

- Alloy seatstays tuned for comfort
- **Laterally ovalized monostay with one-piece tri-bend seatstays**



ELEMENTECH™ for Frame Integration

These **exclusive systems** are found on **Element** Frames.

E.G.S.™ Equilibrium Geometry System

Element's integration of balanced frame and tubing geometries.

Frame Geometry is the essential parameter of a good ride.

Element frames position the rider in a way which is:

- Ideal for the intended purpose of the frame
- Efficient on the terrain conditions typically ridden by that frame
- Fits a range of body sizes

Tubing Shape is designed to translate the geometry and harmonize terrain feedback.

Element tubing is created from the finest materials to be:

- Optimized in shape to resist the force demands created by the riding loads
- Tuned to absorb and filter undesirable ground inputs.



Oversize Head Tubes & Headset Bearings

Element frames use oversized head tubes with **oversized headset bearings**.

Headsets are **included** with every **Element** frame for assured reliability.

36-OS integrated $\phi 1\text{-}1/8\text{'}$ headset - for XC frames

Element-exclusive durable headset system

- Oversize **machined** headtube
- Oversize **large-ball** 36° ACB bearings (**36-OS**)
- Stronger and more durable than other integrated systems.
In 7 years, we have never seen a failure of a **36-OS** headset!



36-OS HS bearing



standard HS bearing

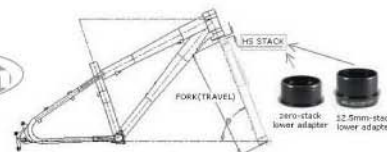
OnePointFive ($\phi 1.5\text{'}$) Compatible Head Tube - for All-Mountain and Free Ride

- **1point5** head-tube stiffens frame and eliminates head-tube ovalization
- Use with **any $\phi 1\text{-}1/8\text{'}$** or **1point5** fork option

onepointfive
INTERFACE STANDARD

Fusion Reducer Headset - for 1point5

- Reducer headset with **36-OS** bearings
- **Fusion headsets** allow any $\phi 1\text{-}1/8\text{'}$ fork
- **Adjustable ride-height** (via stack-height) for long-travel forks.



A long-time coming, our Element **Fullys** started without pre-conceived notions. Engineering for the Element Fullys frame was jointly conducted in **Germany** and **Canada**.

OSP Open-Source Pivot

The Element Fullys might look simple, but the **result** is every detail is considered and for a reason.

On a blank sheet of paper, we analyzed these key points:

- **Pivot Location**
- **Pedal Reaction**
- **Shock Rate**
- **Standover Height**
- **Maintenance**
- **Axle-Path**
- **Bump Reaction**
- **Lateral Stiffness**
- **Number of Pivots**
- **Marketing "B.S."**

The surprising results of this analysis lead to the most efficient conclusion: A carefully positioned single main-pivot is the equivalent of a multi-pivot design.

Introducing **Open-Source Pivot (OSP)**. No patents-applied nor license fees paid.

Fully-Specific E.G.S.™

Element's basic **E.G.S.** principles are the starting points for all of our frames, because even the best suspension needs a suitable frame geometry.

A.S.A.P.™ Application-Specific Axle Path

One pivot location does not and cannot work for both XC / Short-Travel / FR / Long-Travel

Each model of **Element Fully** uses an **Application-Specific Axle Path (A.S.A.P.)** because **rear-wheel axle-path** has a fundamental influence on the suspension kinematics.

Element-Specific Fox Shocks

As a final step, shock-performance can be optimized, instead of compensating for a poorly-conceived axle-path.

Element Fullys works with **Fox Racing Shox.** to develop custom tuned **Float** and **DHX** air-shocks. Front forks are carefully selected from **Fox** to match the rear suspension.



XC - CROSS-COUNTRY

PREMIUM FULLY

TRITON-100 [MD-25]



EXCLUSIVE DETAILS

100mm of stable pedaling rear travel.

- **A.S.A.P.**™ Kinematics for XC
 - High Reactivity to rider-inputs = bump absorption
 - Low Reactivity to rider-inputs = pedaling efficiency
- Maximum lateral stiffness
- Minimum standover height on all frame sizes
- Element-specific **Fox Shox Float RP23**
- **Open-Source Pivot (OSP)** Position
 - Sealed cartridge bearings
- CNC Shock-Box & Swing-Link
- Element **36-OS**™ ø1-1/8" headset included

DETAILS

- Materials: AL7005
- Colors
 - Gloss-white / Hard-gold
 - Gloss-black / Hard-gold
- Frame Weight (18"): ~2.3kg (w/o shock)
- Element **E.G.S.**™ geometry for aggressive XC riding
 - Standard Sizes: 16.5" / 18" / 19.5"
 - Made in Taiwan

INTENDED USE

- XC / Trail / Adventure / Marathon
- Suggested Forks (80mm ~ 100mm travel):
 - Fox 32 F100 RLC



frame
and frameset
options

PREMIUM FULLY

ISOTOPE-5.3 [MD-38]



EXCLUSIVE DETAILS

Go up fast. Go down fast. Have fun fast.

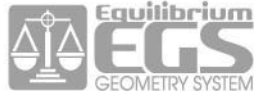
- Travel:
 - 140mm (5.5")
- Head angle:
 - All-Mountain 68.5°
- Torsionally stiff for tracking precision
- Element- specific **Fox Shox DHX Air 4.0**
- **Open-Source Pivot (OSP)** Position
 - Sealed cartridge bearings
- **A.S.A.P™** kinematics
 - Vertical axle-path for AM
 - Absorb drops and big-hit
- Very low standover height on all frame sizes
- **1point5** head-tube
- **Fusion™ 36-OS** adjustable headset included
- Adjustable head-tube angle and stack
- Fine-tuning range for 140~160mm forks

DETAILS

- Materials: Butted AL7005
- Colors:
 - Shades of Grey
- Frame Weight (16.5"): 2.8kg
- **E.G.S™** geometry
 - Sizes: 16.5" / 18" / 19.5"
- Made in Taiwan

INTENDED USE

- All-Mountain / Enduro / FreeRide Lite
- Suggested Forks (140mm ~ 160mm):
 - Fox 36 TALAS RC2
 - Fox Float



frame
and frameset
options

XC - CROSS-COUNTRY

ULTRA PREMIUM - CARBON-HARDTAIL

NITRON-Q [MD-9]



FRAME DETAILS

- Frame Material: Carbon-Fiber + T.B. AL7005
- CNC contour Dropouts
- Premium Double-Pass Smooth-Welds
 - Superior fatigue strength and appearance
- Colors
 - Satin-Pearl-White w/Carbon-weave
 - Satin-Indigo w/Carbon-weave
- Frame Weight (16.5"): 1.4kg
- **E.G.S™** (Equilibrium Geometry System)
 - Sizes: 16.5" / 18" / 19.5"
- **36-OS™** large-ball headset
- **Beer-Keg™** CNC BB shell
- Made in Taiwan
- Available as:
 - Frame-only, Frameset or Complete-Bike

INTENDED USE

- XC / Trail / Adventure / Marathon
- Suggested Forks (80mm ~ 100mm travel):
 - Fox-32 F100 RLC

COMPARE TO Electro-X

- Carbon VIBET™ V.D.T. carbon rear-end
- Full CNC custom dropouts
- Lighter Weight



frame
and frameset
options

MAXIMUM VIBE



PREMIUM PERFORMANCE

ELECTRO-X [MD-11]



FRAME DETAILS

- Frame Material: Triple-Butted AL7005
- Premium Double-Pass Smooth-Welds
 - Superior fatigue strength and appearance
 - CNC dropouts detailing
- Colors
 - Gloss-Red
 - Gloss-Blue
 - Gloss-White
- Frame Weight (16.5"): 1.5kg
- **E.G.S™** (Equilibrium Geometry System)
 - Standard Sizes: 14" / 16.5" / 18" / 19.5"
- **36-OS™** large-ball headset
- **Beer-Keg™** CNC BB shell
- Made in Taiwan
- Available as:
 - Frame-only, Frameset or Complete-Bike

INTENDED USE

- XC / Trail / Adventure / Marathon
- Suggested Forks (80mm ~ 100mm travel):
 - Fox 32 F100 RLC

COMPARE TO ELECTRO-P

- 36-OS™ Integrated Oversize-Bearing Headset
- CNC dropouts detailing



frame
and frameset
options



XC - CROSS-COUNTRY

VALUE HARDTAIL

ELECTRO-P [MD-11C-M]

MALE



FRAME DETAILS

- Frame Material: Butted AL7005
- Precision Smooth-Welds
- Forged dropouts
- Zero-Stack headset
- Colors
 - Gloss-White
 - Gloss-Blue
 - Gloss-Red
 - Gloss-Black
- Frame Weight (16.5"): 1.6kg
- **E.G.S™** (Equilibrium Geometry System)
 - Sizes: 14" / 16.5" / 18" / 19.5"
- Available as Complete-Bike

INTENDED USE

- XC / Trail / Adventure / Marathon



frame
and frameset
options



VALUE HARDTAIL

ELECTRO-P [MD-11C-F]

FEMALE



FRAME DETAILS

- Frame Material: Butted AL7005
- Precision Smooth-Welds
- Forged dropouts
- Zero-Stack headset
- Colors
 - Gloss-White
 - Gloss-Blue
 - Gloss-Orange
- Frame Weight (16.5"): 1.6kg
- **E.G.S™** (Equilibrium Geometry System)
 - Sizes: 14" / 16.5" / 18" / 19.5"
- Available as Complete-Bike

INTENDED USE

- XC / Trail / Adventure / Marathon



frame
and frameset
options



FR HARDTAIL

XENON-E [MD-14]



FRAME DETAILS

- Material: Butted AL7005
- **1point5** head-tube
 - Compatible for both 1-1/8" and 1.5" forks
 - **Fusion™ 36-OS** adjustable headset included
 - Adjustable Head-Tube Angle
- CNC Head-Tube / BB / Yokes / Dropouts
- ISCG tabs
- Colors:
 - Shades of Grey
- Frame Weight (13.5"): 2.2kg
- Element **E.G.S.™** geometry for hard-core riding
 - Standard Sizes: 13.5"
- Made in Taiwan
- Available as
 - Frame-only, Frameset kit Complete-Bike

INTENDED USE

- FreeRide / Dirt Jump / Urban Assault / 4x
- Suggested Forks (100mm~130mm travel):
 - Fox 32 Vanilla



frame
and frameset
options



XC bike-fitting is simple:

- Each size increases in length 18mm, both top-tube and wheel-base.
- Choose appropriate frame size for your height and body.
- Fine-tune the fit with Element XC stems, available in lengths from 70mm ~ 120mm.

XC - Full Suspension

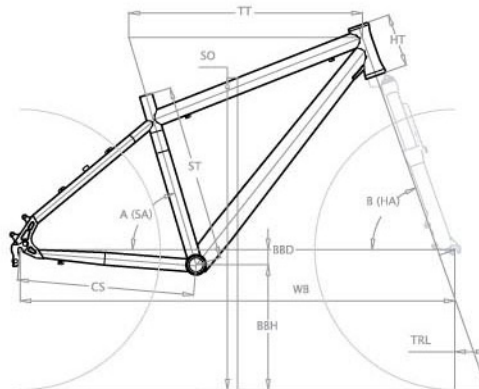
Sizing		ST(c-t)		A	TT(c-c)		SO		B	TRL	HT		BBD		BBH		CS		WB	
Asia	West	[in.]	[mm]	(°)	[in.]	[mm]	[in.]	[mm]	(°)	[mm]	[in.]	[mm]	[in.]	[mm]	[in.]	[mm]	[in.]	[mm]	[in.]	[mm]
M	S	16.5	420	73.5	22.1	562	28.4	722	69.5	81.5	4.3	110	0.2	5	12.8	325	16.5	420	41.7	1060
L	M	18.0	460	73.5	22.8	580	28.4	722	69.5	81.5	4.7	120	0.2	5	12.8	325	16.5	420	42.4	1078
XL	L	19.5	495	73.5	23.5	598	28.4	722	69.5	81.5	5.1	130	0.2	5	12.8	325	16.5	420	43.1	1096

Item	Spec
Fork Travel	100mm
Seatpost	ø27.2mm
Seat collar	ø30.8mm
F. Derailleur	ø31.8mmt
B.B.Shell	68mm

XC - Hard Tails

Sizing		ST(c-t)		A	TT(c-c)		SO		B	TRL	HT		BBD		BBH		CS		WB	
Asia	West	[in.]	[mm]	(°)	[in.]	[mm]	[in.]	[mm]	(°)	[mm]	[in.]	[mm]	[in.]	[mm]	[in.]	[mm]	[in.]	[mm]	[in.]	[mm]
S	XS	14.0	355	73.5	21.2	539	27.2	591	70.0	79	4.1	105	1.2	30	11.8	300	16.5	420	40.3	1024
M	S	16.5	420	73.5	21.9	557	29.0	737	70.0	79	4.5	115	1.2	30	11.8	300	16.5	420	41.0	1042
L	M	18.0	460	73.5	22.6	575	30.1	766	70.0	79	4.9	125	1.2	30	11.8	300	16.5	420	41.7	1060
XL	L	19.5	495	73.5	23.3	592	31.0	787	70.0	79	5.3	135	1.2	30	11.8	300	16.5	420	42.4	1078

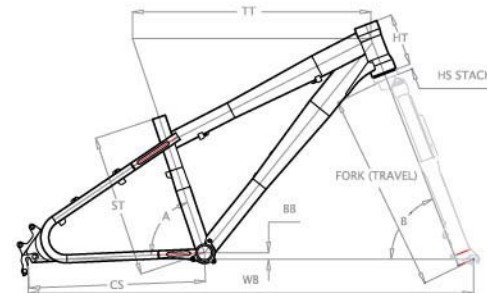
Item	Spec
Fork Travel	80mm~100mm
Seatpost	ø27.2mm
Seat collar	ø31.8mm
F. Derailleur	ø31.8mm
B.B.Shell	68mm



AM & FR - FRAME GEOMETRY

Frame Geometry will depend on fork travel and headset stack-height

- Choose fork-travel
- Compensate for fork length with correct lower headset stack
- Optional adjustment of head angle / frame-geometry with other lower headset stack



FR - Hard Tail

Sizing		ST(c-t)		"Fork Travel"		HS Stack		A	TT(c-c)		B	HT		BBD		CS		WB	
Asia	West	[in.]	[mm]	[in.]	[mm]	[in.]	[mm]	(°)	[in.]	[mm]	(°)	[in.]	[mm]	[in.]	[mm]	[in.]	[mm]	[in.]	[mm]
				3.9	100	0	0	74.5	22.0	560	69.5	4.9	125	+0.5	+12	16.5	420	41.7	1060
M	S	13.5	340	3.9	100	0.5	12.5	74	22.0	560	69	4.9	125	+0.6	+16	16.5	420	41.7	1060
				4.7	120	0	0	73.5	22.0	560	68.5	4.9	125	+0.8	+20	16.5	420	41.7	1060
				4.7	120	0.5	12.5	73	22.0	560	68	4.9	125	+0.9	+23	16.5	420	41.7	1060

Item	Spec
Fork Travel	100mm-130mm
Seatpost	Ø31.6mm
Seat collar	Ø34.9mm
F.Derailleur	Ø34.9mm
B.B.Shell	73mm ISCG
R.Hub	standard 135mm
Head Tube	1point5(1.5")

AM / FR - Full Suspension

All - MOUNTAIN SETUP (68.5° Head Angle)

Sizing		ST(c-t)		A		TT(c-c)		SO	B	TRL	HT		BBD		BBH		CS		WB	
Asia	West	[in.]	[mm]	(°)	[in.]	[mm]	[in.]	[mm]	(°)	[mm]	[in.]	[mm]	[in.]	[mm]	[in.]	[mm]	[in.]	[mm]	[in.]	[mm]
M	S	16.5	420	72.5	22.8	580	30.1	765	68.5	89	4.5	115	-0.2	-5	13.4	340	16.9	428	43.0	1093
L	M	18.0	460	72.5	23.4	595	30.1	765	68.5	89	4.9	125	-0.2	-5	13.4	340	16.9	428	43.6	1108
XL	L	19.5	495	72.5	24.0	610	30.1	765	68.5	89	5.3	135	-0.2	-5	13.4	340	16.9	428	44.2	1123

Item	Spec
Fork Travel	140mm-160mm
Seatpost	Ø31.6mm
Seat collar	Ø34.9mm
F.Derailleur	Ø34.9mm
B.B.Shell	73mm ISCG
R.Hub	standard 135mm
Head-Tube	1point5(1.5")

Brand	Series	Travel Recommended	
		[mm]	HS Stack
Fox	32	140	12.5mm stack lower-cup
Fox	36	160	Zero-Stack lower-cup

HEADSETS - 36-OS OVERSIZE BEARING



These headsets feature the large-ball **36-OS** cartridge bearings.

KRYPTON-36° Oversize Integrated Headset

The **Krypton-36** Ø1-1/8" integrated headset is **included with most Element Technic XC frames**.

Note: It is not sold separately from Element frames.

FEATURES

- Oversize Ø5/32" balls: 25% larger than standard balls
- 36° cartridge chamfer has a larger contact area to the headtube
- Oversize Ø50mm head-tube, stiffer and stonger
- No cups: tool-free installation and better aligned bearings
- Alloy lower crown-race for cross-country, stainless steel lower crown race for AM / FR
- Weight: only 85g
- Bearing: BN-440TA



AD-9TS / AD-9TA

FUSION-36 Kit for 1point5 [HP-14A]

The Fusion headset kit adapts the durable **Krypton-36** headset to any **1point5 (1.5") headtube frame**.

FEATURES

- Can choose any Ø1-1/8" fork, without eliminating 1point5 fork options
- Lighter than other reducer headsets for 1point5
- Lighter than most heavy-duty Ø1-1/8" headsets
- High-hardness AL7075/T6 bearing seats resist damage vs. AL7005 or AL6061 head-tubes
- Stem sits 20mm lower with zero-stack upper cup (vs. standard 1.5" headsets)
- Head tube angle can be adjusted with either zero-stack or 12.5mm stack lower cup



Zero-Stack
UPPER ADAPTER
Qty1



Krypton-36
OVERSIZE Ø1-1/8" HEADSET

KIT INCLUDES

- Krypton-36 headset for Ø1-1/8"
- Stainless steel lower crown-race, for freeride

WEIGHT

170g (w / zero / zero adapters)
200g (w / zero / 12.5mm adapters)

- Qty 2 - zero-stack adapters for 1point5
- Qty 1 - 12.5mm-stack adapter for 1point5



Zero-Stack
LOWER ADAPTER
Qty1



12.5mm
LOWER ADAPTER
Qty1



HEADSETS - TRADITIONAL Ø1-1/8"

NEPTUNE

The same large-ball **36-OS** cartridge as our integrated headset in a conventional headset.

FEATURES

- Oversize Ø5/32" balls: 25% larger than standard balls
- CNC AL6061/T6 cups, stainless-steel lower-crown
- Polished anodized finish with laser logo
- Colors: Black / Silver / Red / Blue / Gun-metal
- 12mm "semi-deep" cup insertion, for headtube strength

Neptune [HP-55TS]

- Intended usage: XC / FR
- Stainless steel lower crown race
- Weight: 140g
- Bearing: BN-440TA



MERCURY

Mercury is a no-compromise lightweight conventional Ø1-1/8" headset. The **Element Technic** exclusive **stainless-steel ACB** features a special shoulder-stop which controls pressure on the inner bearing to prevent over-tightening.

FEATURES

- Special stainless steel 45°/36° angular contact bearings for XC
- CNC AL6061/T6 cups
- Polished anodized finish with laser logo
- Colors: Black / Silver / Red / Blue / Gun-metal
- 12mm "semi-deep" cup insertion, for head-tube strength

Mercury [HP-66SA]

- Intended usage: Road / XC
- Heat-treated alloy lower crown race
- Weight: 90g
- Bearing: BN-410SS



SPACER KITS

The perfect match for your Element headset.

- Full carbon-fiber
- One Kit includes a set of: 3, 5, 10, 15, 20mm

Carbon Fiber [WS-150CF]

- For Ø1.5"

Carbon Fiber [WS-118CF]

- For Ø1-1/8"

Carbon Fiber [WS-100CF]

- For Ø1"





A stem has a simple job... **Element Technic** stems are a perfect link between our frames and handlebars. With a variety of lengths, the optimum fit of the bike can be assured.

NEON-Q

Superlight

- CNC Logo and CNC details
- Available in lengths down to 70mm

FEATURES

- Intended usage: XC
- 3D-Forged AL7075/T6
- Ti screws w/anti-seize thread compound
- Passes EN safety standards
- Weight (L110mm): 115g
- Colors: Black / White

[Model No. SM-15]

Ø25.4mm
x L70, 80, 90, 100, 120mm x +8°

[Model No. SM-16-OS]

Ø31.8mm
x L70, 80, 90, 100, 120mm x +8°



CNC LOGO STEM
CAP

NEON-X

Very Light

- Available in lengths down to 70mm
- Laser Logo

FEATURES

- Intended usage:
XC / Adventure / All-Mountain
- 3D-Forged AL6061/T6
- Cro-Mo screws
- Weight (L110mm): 135g

[Model No. SM-25]

Ø25.4mm
x L70, 80, 90, 100, 120mm x +8°

[Model No. SM-26-OS]

Ø31.8mm
x L70, 80, 90, 100, 120mm x +8°





HANDLEBARS - CARBON

Element Technic carbon-fiber handlebars are strong and reliable. Developed with a systems engineering approach to consider the interaction of the bars with stem, shifters and bar-ends, they pass the most demanding mechanical testing.

FEATURES

- Intended usage: XC / Marathon / All-Mountain
- Superior impact and fatigue strength
- Multi-buffed and tapered full carbon-fiber
- Extra reinforced under stem / brake lever / bar-end clamping areas
- Gloss finish carbon-weave with color logos

INDIUM - X

FEATURES

- Flat Bar
- Weight: 135g

[HD-11CF] Ø25.4mm x 580mm width x 7° sweep



RADIUM - F

FEATURES

- Riser Bar
- Weight: 165g

[HD-22CF] Ø25.4mm x 660mm width x 9° sweep, 35mm rise



HYDROGEN-OS

FEATURES

- Riser Bar
- Weight: 175g

[HD-24CF] Ø31.8mm x 650mm width, 8° sweep, 15mm rise



RADIUM-OS

FEATURES

- Riser Bar
- Weight: 185g

[HD-26CF] Ø31.8mm x 670mm width, 8° sweep, 25mm rise





Since handlebar position is a critical element to bike fit, we take special interest in handlebar positioning.

Element Technic alloy riser bars are designed with increased up-sweep to improve rider comfort and control.

- Special sweep and rise for control and comfort
- Precision tolerances on bar diameter and wall-thickness
- Heat-treated butted AL7075 alloys
- Dual surface treatments:
 - High polishized finish with Laser Logo
- Marked ends for easy cutting

BARIUM-Q

FEATURES

- Low Riser
- Intended usage: XC / All-Mountain
- Colors: Black / Gun-metal
- Weight: 190g



[HD-520C]

Ø25.4mm x 630mm width, 8° back-sweep x 8° up-sweep, 15mm rise

PLUTON-O

FEATURES

- Mid Riser
- Intended usage: All-Mountain / Freeride
- Colors: Black / Gun-metal
- Weight: 230g



[HD-537C]

Ø25.4mm x 660mm width, 8° back-sweep x 10° up-sweep, 30mm rise

Element Technic seatposts are a perfect complement to our frames. All feature easy and secure two-bolt adjustment

GRAPH-Q Full Carbon

FEATURES

- Monocoque setback post
- Intended usage: XC / Marathon
- Full carbon shaft
- Carbon weave finish
- Weight: 200g

[Model No. SP-750]

Size: Ø27.2mm x L350mm



IODINE-C Carbon

FEATURES

- Zero-offset post
- Seatpost: XC / Marathon
- Carbon shaft
- Carbon weave finish
- Weight: 175g / 190g

[Model No. SP-780]

Size: Ø27.2mm x L350mm
Ø31.6mm x L350mm



ARGON-V Alloy 7075

FEATURES

- One-piece Zero-offset post
- High-strength and lightweight
- All-Purpose usage:
XC / Marathon / All-Mountain / Freeride
- 3-D forged AL7075/T6 shaft
- Black anodized finish
- Weight: 215g / 230g

[Model No. SP-880]

Size: Ø27.2mm x L400mm
Ø31.6mm x L400mm





For masochists only...

NICKEL-WIDE

FEATURES

- Super-Wide Flat Bar
- Intended usage: Freeride / DH
High polished anodized finish with laser Logo
- Weight: 300g
- Colors: Gun-metal / Black

[Model No. HD-868]

Ø31.8mm x 760mm x 9° sweep



PLUTON bars

FEATURES

- Intended usage:
All-Mountain / Freeride / Enduro
- 680mm width, 9° back-sweep x 10° up-sweep, 30mm rise
- Weight: 230g / 250g
- Colors: Anodize Black / Gun-metal

[Model No. HD-537C]

Ø25.4mm x 660mm x 8°

[Model No. HD-536-OS]

Ø31.8mm x 680mm x 9°



FREEDUM-E stem

FEATURES

- Knee-Friendly steerer clamp
- CNC'd AL6061
- CNC logo
- Intended usage: FreeRide / Jump
- Weight: 260g / 290g

[Model No. SM-35]

Ø25.4mm x L50mm

[Model No. SM-36-OS]

Ø31.8mm x L50mm



FREEDUM-F seatpost

FEATURES

- Heavy-Duty Guts
- Black Anodized AL6061
- Intended usage: FreeRide / Jump

[Model No. SP-950]

Ø27.2mm x L350mm





HUBSETS

The **Technium** disk hubsets are durable, smooth-running units. Freewheels feature triple pawl action. Disk rotor mounts are machined precisely square to the hubshell; so the disks run very straight and true.

FEATURES

- Precision CNC fabrication
- Sealed Cartridge Bearings: Front: x2 / Rear: x4
- Polished black-anodized finish wih laser logo
- International 6-bolt disc bolt pattern
- Includes QR's (except thru-axle)

TECHNIUM XC-SL

DETAILS

- Lightweight and durable
- Oversize alloy axles
- Elegant Element Style
- Intended Usage: XC / All-Mountain
- AL7075 alloy cassette body
- Includes QR's
- Colors: Anodize Black / Anodize Blue
Anodize Gold / Anodize Red
- Weights F/R (w/o QR): 160g / 280g

[Model No. HB-XC100]

Front hub: OLD100mm x 32H
Rear hub: OLD135mm x 32H



TECHNIUM XC

DETAILS

- Elegant and Durable
- Intended Usage: XC / All-Mountain
- AL7075 alloy cassette body
- Includes QR's
- Colors: Anodize Black / Anodize Turquoise
Anodize Gold / Anodize Red
- Weights F/R (w/o QR): 170g / 345g

[Model No. HB-XC101]

Front hub: OLD100mm x 32H
Rear hub: OLD135mm x 32H





TECHNIUM AM / FR

DETAILS

- Intended Usage: All-Mountain / Light Freeride
- Super-Stiff Oversize Front Hub
 - 3 interchangeable versions:
 - QR 9mm
 - Thru-Axle Ø15mm
 - Thru-Axle Ø20mm
- Duralight Rear Hub with AL7075 alloy cassette body
 - 3 interchangeable versions:
 - QR 10mm
 - Thru-Axle Ø10mm
 - Thru-Axle Ø12mm
 - 150mm rear-hub version
- Colors: Anodize Black / Anodize Blue
Anodize Gold / Anodize Red
- Weights F/R (OLD 135, w/o QR): 220g/280g



[Model No. FR-200-F]

- Front hub: Ø9mm QR x OLD 100mm x 32H
- Front hub: Ø15mm x OLD 100mm x 32H
- Front hub: Ø20mm x OLD 110mm x 32H

[Model No. HB-FR-200-R]

- Rear hub: Ø10mm QR x OLD135mm x 32H
- Rear hub: Ø10mm Axle x OLD135mm x 32H
- Rear hub: Ø12mm Axle x OLD135mm x 32H
- Rear hub: Ø12mm Axle x OLD150mm x 32H

Interchangeable Versions:

- | | |
|------------------------|---------------------------|
| For Front hub | For Rear hub |
| •FR200-F-Ø9mm QR - CAP | •FR200-R-Ø10mm QR - CAP |
| •FR200-F-Ø15mm - CAP | •FR200-R-Ø10mm Axle - CAP |
| •FR200-F-Ø20mm - CAP | •FR200-R-Ø12mm Axle - CAP |

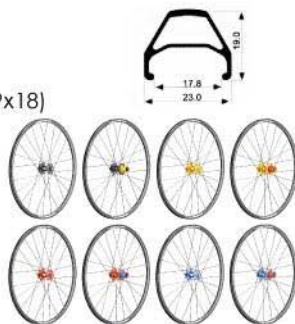


TECHNIUM XC-SL 26"

FEATURES

Minimal rotating weight wheelset

- Technium XC-SL 26" Alloy rim
 - Superlight welded construction
 - 23mm width x 19mm deep (ETRTO 559x18)
 - Eyelets for durability
 - Disc-Only
- Technium XC-SL hubset – F/24H, R/28H
 - OLD100 / 135mm (F/R)
- Black Pillar 14G spokes
- Alloy nipples
- Includes QR's (F/R)
- Color:
 - Black (rims and spokes)
 - Anodized Hub in Black / Red / Gold / Blue



[Model No. WH-XC100] Weights (F/R): 740g / 860g

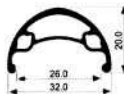


TECHNIUM AM / FR 26"

FEATURES

Wide-rimmed light freeride wheelset

- Technium-FR 26" wide Alloy rim
 - Wide rim section for stable cornering
 - Durable pinned construction
 - 32mm width x 20mm deep (ETRTO 559x26)
 - Eyelets for durability
 - Disc-Only
- Technium FR hubset – 32H F/R
 - 20mm thru-axle front (OLD110mm)
 - QR rear (OLD135mm)
- Black Pillar 14G spokes
- Alloy nipples
- Includes rear QR's (F/R)
- Color:
 - Black (rims and spokes)
 - Anodized Hub in Black / Red / Gold / Blue



[Model No. WH-FR200] Weights (F/R): 1100g / 1150g





Vibration-Damping carbon legs can truly lighten your ride.

SPAR-E DISC

FEATURES

- Disc brake only
- Full Carbon Monocoque
- Intended usage: XC only

[Model No. FK-400]

For 26" wheels only

Fork Length: 410mm (axle-to-crown)

Offset: 48mm

Weight: 535g (uncut)



SPAR-E DUAL

FEATURES

- Disc and V-brake compatible
- Full Carbon Monocoque
- Removable V-brake posts
- Intended usage: XC only

[Model No. FK-410]

For 26" wheels only

Fork Length: 410mm (axle-to-crown)

Offset: 48mm

Weight: 555g (uncut)





FORKS - CARBON

Vibration-Damping carbon legs can truly lighten your ride.

SPAR-Q DISC

FEATURES

- Disc brake only
- Carbon Legs
- Forged Crown and Dropouts
- Intended usage: XC only

[Model No. FK-500]

For 26" or 29" wheels

Fork Length: 445mm (axle-to-crown)

Offset: 45mm

Colors: Black / White

Weight: 750g (uncut)



SPAR-Q DUAL

FEATURES

- Disc and V-brake compatible
- Carbon Legs
- Removable V-brake posts
- Intended usage: XC only

[Model No. FK-510]

For 26" wheels only

Fork Length: 445mm (axle-to-crown)

Offset: 45mm

Colors: Black / White

Weight: 800g (uncut)



Element Bottle Cages. Now in top-quality carbon.

RACELIGHT

FEATURES

- Super Light Race Cage
- Full-Carbon
- Rubber Tickler Gripper
- Low Profile screws
- Intended usage: XC only

[Model No. WC-64]

Weight: 20g



MARATHON

FEATURES

- Lightweight Cage
- Full-Carbon
- Rubber Tickler Gripper
- Low Profile screws
- Intended usage: XC / Marathon

[Model No. WC-65]

Weight: 25g





GRIPTONITE LOCKING GRIPS

FEATURES

- Element "E" logo kraton-rubber grip
- Dual Alloy lock-rings clamp securely using 3mm allen-key
- Intended usage: XC / All-Mountain / Freeride
- Includes end-plugs
- Color:
Black rubber / Anodized lock-rings (Black / Blue / Red / Gold) with laser-logo
White rubber / White Powder lock-rings with laser-logo

[Model No. GP-26]

Full size for use with trigger-shifters
Length: 130mm
Weight: 105g / pair



FEATURES

- Diamond-knurl kraton rubber grip
- Dual Alloy lock-rings clamp securely using 3mm allen-key
- Intended usage: XC / All-Mountain / Freeride
- Includes end-plugs
- Color:
Black rubber / Anodized lock-rings (Black / Blue / Red / Gold) with laser-logo

[Model No. GP-33L]

Full size for use with trigger-shifters
Length: 130mm
Weight: 120g / pair

[Model No. GP-33S]

Full size for use with trigger-shifters
Length: 80mm
Weight: 85g / pair





CHAINSTAY PROTECTORS

FEATURES

- Cordura nylon w/velcro
- Black w/Element logo

Size:

[Model No. PT-CS03-S]

S (fits small chain stays)

[Model No. PT-CS01-M]

M (fits most chain stays)

[Model No. PT-CS02-L]

L (fits over size chain stays)



BAGS

FEATURES

- 1680D polyester
- Black
- Reflective logo

[Model No. BG-SH-701MR]

Saddle bag

- Reflective Line
- Loop for attaching flasher
- Convertible volume
- Velcro straps



[Model No. BG-CS-103R]

Small Handlebar Bag

- Map Pocket
- 8" x 4" x 7"
- (203mm x 102mm x 191mm)



[Model No. BG-SH-3404R]

Large Handlebar Bag

- Map Pocket
- Bottle pocket
- 13" x 7" x 8"
- (330mm x 178mm x 203mm)





PUMPS

MINI-PUMP

FEATURES

[Model No. ELM-04S]

- Made of CNC Aluminum
- Superlight and compact
- Telescope
- High pressure-Max 120 psi
- Weight: 100g
- Leight: 170mm

[Model No. ELM-94-2WAY]

- Aluminum barrel
- T-handle
- Reversible Presta and Schrader
- Precise in-line gauge
- 2-Way function for both push & pull
- High pressure-Max 120 psi
- Weight: 140g
- Leight: 270mm

[Model No. ELM-781]

- 6063 Aluminum barrel
- Auto smart-head for Presta / Schrader
- Dust-Cap
- Precise in-line gauge
- High pressure-Max 100 psi
- Weight: 190g
- Leight: 310mm

SHOCK-PUMP

FEATURES

[Model No. ELM-03SL]

- 300 psi Removable Gauge
- Compact and portable
- Swiveling hose
- Non-Scratch Rubber sealing system
- Pressure micro-adjust button (2-3 psi)
- Zero-loss pressure removal
- Weight: 210g



ELM-03SL

FLOOR-PUMP

FEATURES

[Model No. ELM-52N]

- 6063 Aluminum air-flow tube
- Strong steel barrel and base
- Easy reading Top-Mounted 2" gauge
- Clever Valve: No more reverse for Presta & Schrader
- High pressure-Max 160 psi
- Weight: 1460g



ELM-52N



ELM-04S



ELM-94-2WAY



ELM-781



OS - 36 BEARINGS

Oversize Steel Cartridge Bearing

Compatibility:

- Krypton 36-OS headset
- Fusion headset
- Neptune headset

Size:

- OD: 44mm
- Height: 8mm
- Chamfers: 36° x 36°



BN-440TA(steel)

MERCURY BEARINGS

Stainless Steel Cartridge Bearing

Compatibility:

- Mercury headset
- Many traditional taiwan headsets
- Many IS headsets
- Many ZS headsets

Size:

- OD: 41.0mm
- Height: 6.5mm
- Chamfers: 45° x 36°



BN-410TA(Steel)
BN-410SS(Stainless-Steel)

DERAILLEUR HANGERS

[Part No. DP-2]

Fits most current **ELEMENT** frames, including:

- Nitron-Q [MD-9]
- Electro-X [MD-11]
- Electro-P [MD-11C]
- Triton-100 [MD-25]
- Isotope 5.3 [MD-38]

[Part No. DP-3]

Fits these models:

- Xenon-X [MD-14] (Manufacture in Year 2005~2006)
- Nitron-Q [MD-9] (Manufacture in Year 2005)
- Elegant [MD-9] (Manufacture in Year 2004)





ELEMENT TECHNIC CO.

Tel +886 4 24368842

Fax +886 4 24369237

E-mail sales@elementbike.com

Web www.elementbike.com

Add. No.737, Sec. 3, Tai-yuan Road,
Taichung City 406, TAIWAN R.O.C.

© ELEMENT TECHNIC CO. 2009

Products and Specifications are Subject to change without Notice!

Actual Product Might not be as Shown!